

**NEMA 4/12 - ENCLOSURE  
19" RACKMOUNT - 25U HEIGHT  
FREE STANDING**

**48" H x 48" W x 48" D  
4 DOOR DESIGN**



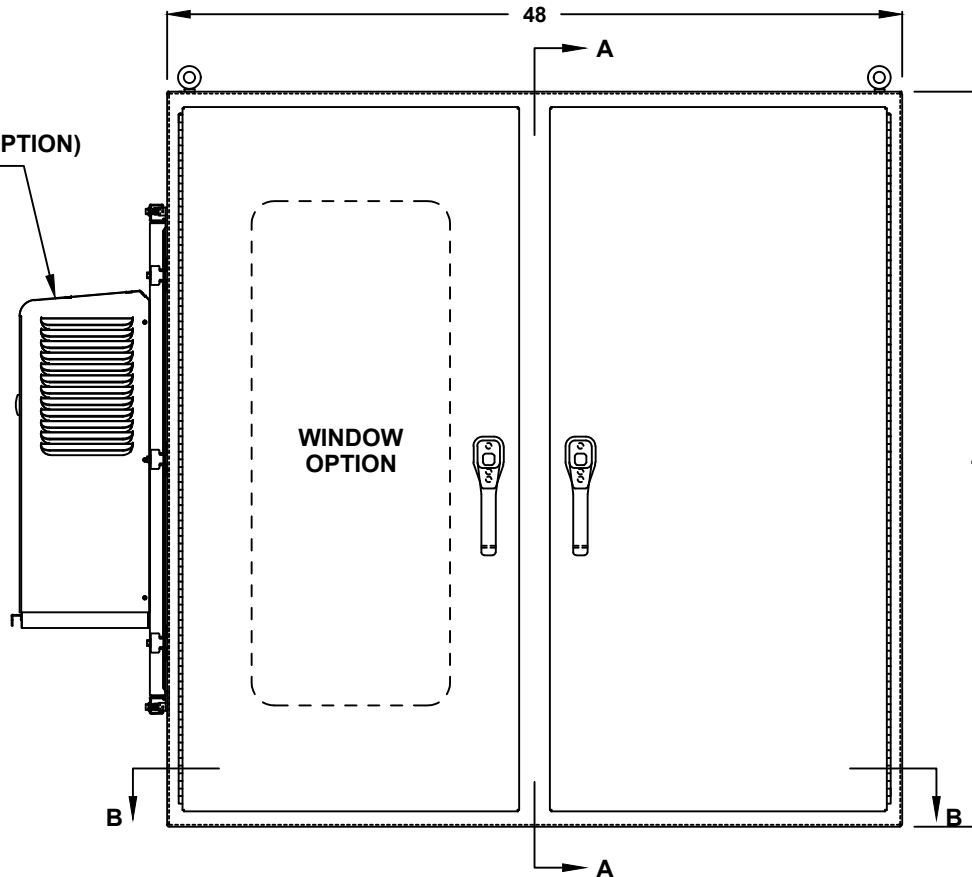
FILE NUMBER: E507642

- ENCLOSURE MATERIAL**
- POWDER COATED STEEL (CS)
  - POWDER COATED ALUMINUM (AL)

- POWDERCOAT COLOR**
- WHITE
  - LIGHT GRAY ANSI 70
  - DARK GRAY ANSI 61
  - BLACK
  - CUSTOM \_\_\_\_\_

- EXTENDED FLOOR DEPTH**
- 2" DEPTH
  - 4" DEPTH
  - 6" DEPTH
  - SPECIFY \_\_\_\_\_

AIR CONDITIONER (OPTION)  
REF. TO PAGE 2



- LIFTING EYES**
- WELDED PADEYES (STANDARD)
  - REMOVABLE PADEYES

- \*WINDOW OPTIONS**
- CLEAR WINDOW
  - TINTED WINDOW
  - TEMPERED GLASS
  - NOT REQUIRED

- DOOR HANDLES**
- PADLOCK PROVISION (STANDARD)
  - KEYLOCK (OPTION)

ALL DIMENSIONS ARE ESTIMATED IN INCHES  
AND MAY VARY DUE TO SELECTED OPTIONS.

**FRONT VIEW**

\*NOTE: UL & NON-UL OPTIONS  
AVAILABLE

\_\_\_\_\_  
COMPANY NAME

\_\_\_\_\_  
APPROVED (PRINTED NAME)

\_\_\_\_\_  
SIGNATURE

\_\_\_\_\_  
DATE

**48" H x 48" W x 48" D  
4 DOOR DESIGN**

**AIR CONDITIONER**

- 1000 BTU
- 1500 BTU
- 2000 BTU
- 3000 BTU
- 4000 BTU
- 5000 BTU
- 6000 BTU
- 8000 BTU
- SPECIFY \_\_\_\_\_
- NOT REQUIRED

**A/C VOLTAGE/ HZ**

- 115 VOLTS
- 230 VOLTS
- 480 VOLTS
- 60 HZ
- 50 HZ
- 48 VDC (CS011 A/C ONLY)

**A/C INTEGRATED HEATER**

- 350 WATTS (CS011 A/C ONLY)
- 500 WATTS
- 1000 WATTS
- EXTERNAL HEATER

**ADDITIONAL A/C OPTIONS**

- CORROSION PROTECTION PACKAGE
- DRY CONTACT (OUTPUT SIGNAL)
- 2" DEEP FILTERS
- PROXIMITY SWITCH (ON/OFF)

**AIR CONDITIONER- SCADA**

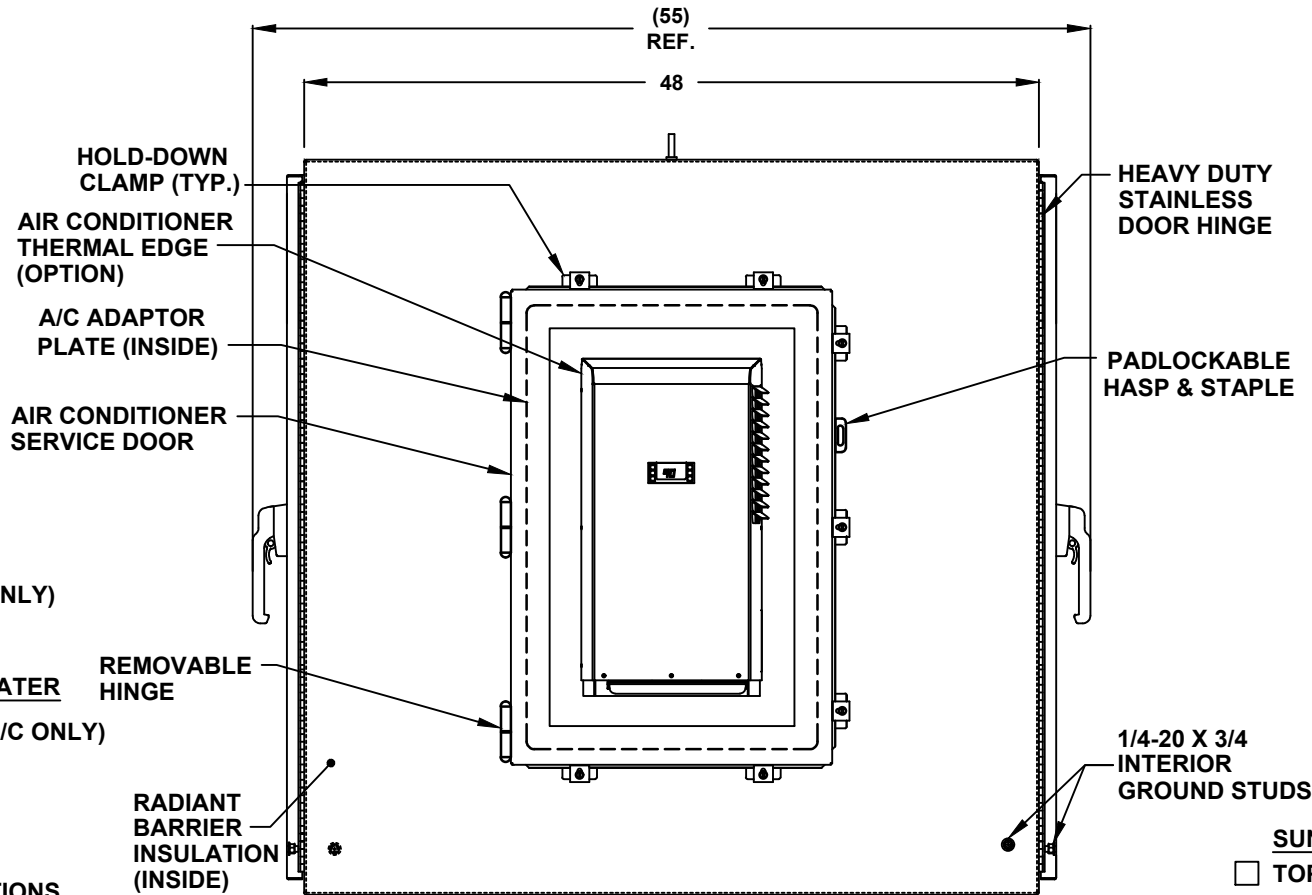
- MOBUS RTU 485 (2 WIRE) REMOTE NETWORK ETHERNET CONNECTION
- MOBUS GATEWAY ADD-ON

**THERMAL SPECIFICATIONS**

- OUTSIDE (AMBIENT) \_\_\_\_\_ °F
- INTERIOR TEMP. \_\_\_\_\_ °F
- HEAT LOAD (WATTS) \_\_\_\_\_
- SUN / SHADE \_\_\_\_\_

**ENCLOSURE INSULATION**

- 1/2 RADIANT BARRIER (STANDARD)
- 3/4 RADIANT BARRIER
- 1 RADIANT BARRIER
- NOT REQUIRED



**LEFT SIDE**

**SUN REFLECTIVE SOLUTION**

- TOP SUNSHIELD COVER

**A/C SERVICE DOOR**

- INSTALL A/C SERVICE DOOR
- NOT REQUIRED

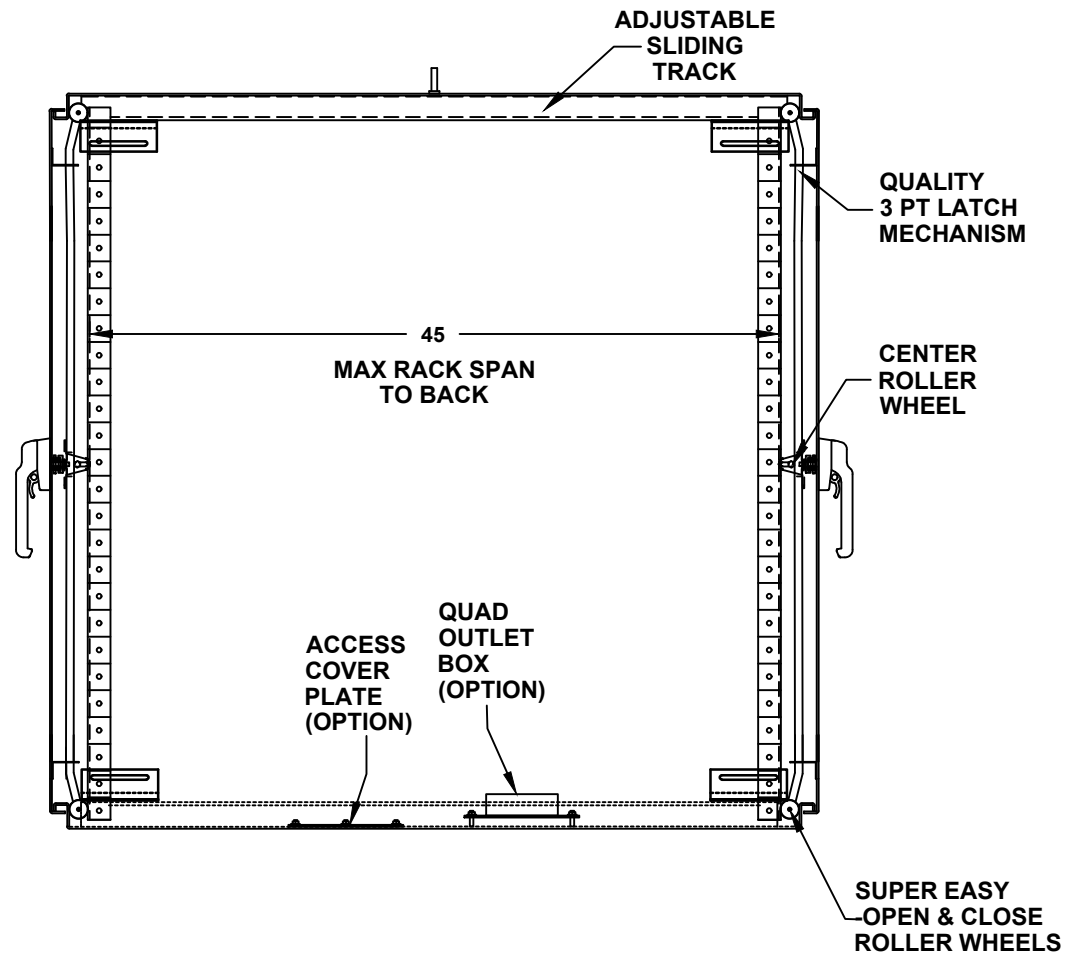
**A/C SERVICE DOOR HINGE**

- REMOVABLE HINGE
- CONTINUOUS HINGE

**A/C ADAPTOR PLATE**

- INSTALL A/C ADAPTOR PLATE
- NOT REQUIRED

48" H x 48" W x 48" D  
4 DOOR DESIGN

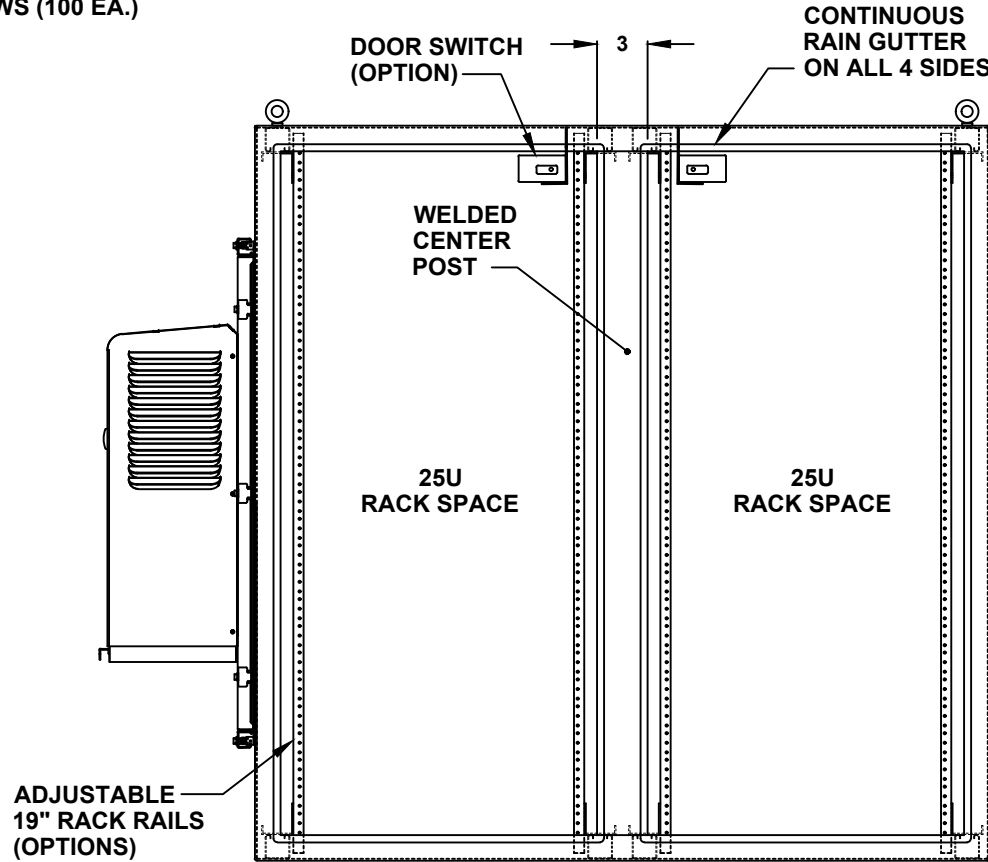


CROSS SECTION VIEW A-A

# 48" H x 48" W x 48" D 4 DOOR DESIGN

**RACK RAIL OPTIONS**

- BLACK CLIP NUTS, #10-32, (100 EA.)
- #10/32 HIGH POINT SCREWS (100 EA.)
- M6 CAGE NUTS



**FRONT VIEW WITH DOOR REMOVED**

**DOOR OPTIONS**

- DOOR SWITCH
- ELECTROMAGNETIC LOCK
- PRINT POCKET

**CENTER POST**

- WELDED (STANDARD)
- REMOVEABLE

**RACK RAIL POST**

- QTY 4 POST
- QTY 8 POST (REARDOOR REQUIRED)

**RACK RAIL MATERIAL**

- POWDER COATED STEEL (STANDARD)
- 304 STAINLESS STEEL

**RACK RAIL MOUNTING HOLES**

- #10-32 TAP (STANDARD)
- #1/4-20 TAP
- 3/8 SQUARE

**RACK RAIL TYPE**

- STANDARD GRADE
- HEAVY DUTY RAILS (OPTION)

**RACK SHELVES (OPTION)**

- STANDARD RACK SHELVES
- SLIDING RACK SHELVES
- RACK SHELF SUPPORT

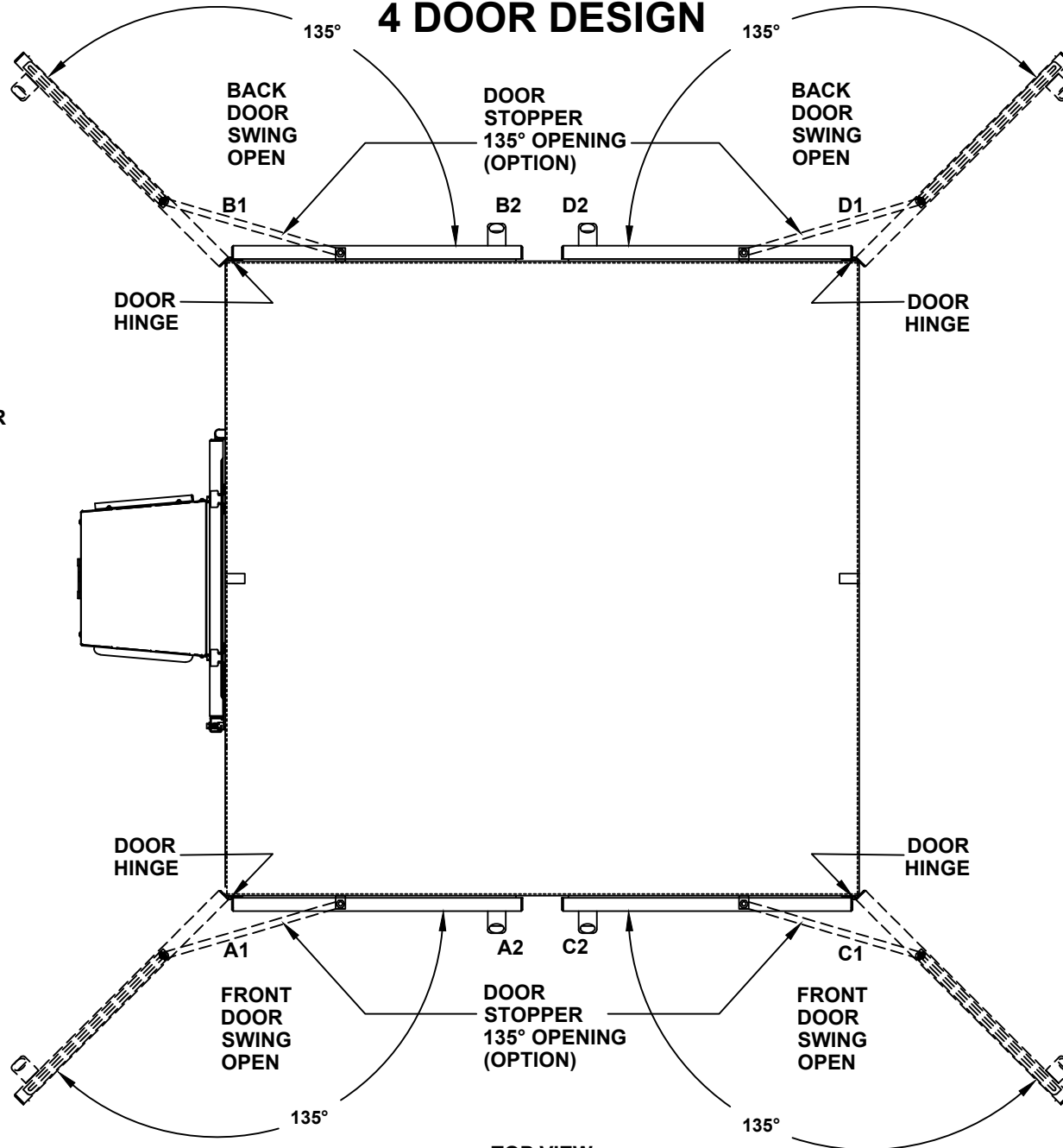
**RACK DRAWERS (OPTION)**

- RACK DRAWERS
- LAPTOP DRAWERS

**OTHER OPTIONS**

- 19" RACK COPPER BUSBAR
- VERTICAL RACK PDU

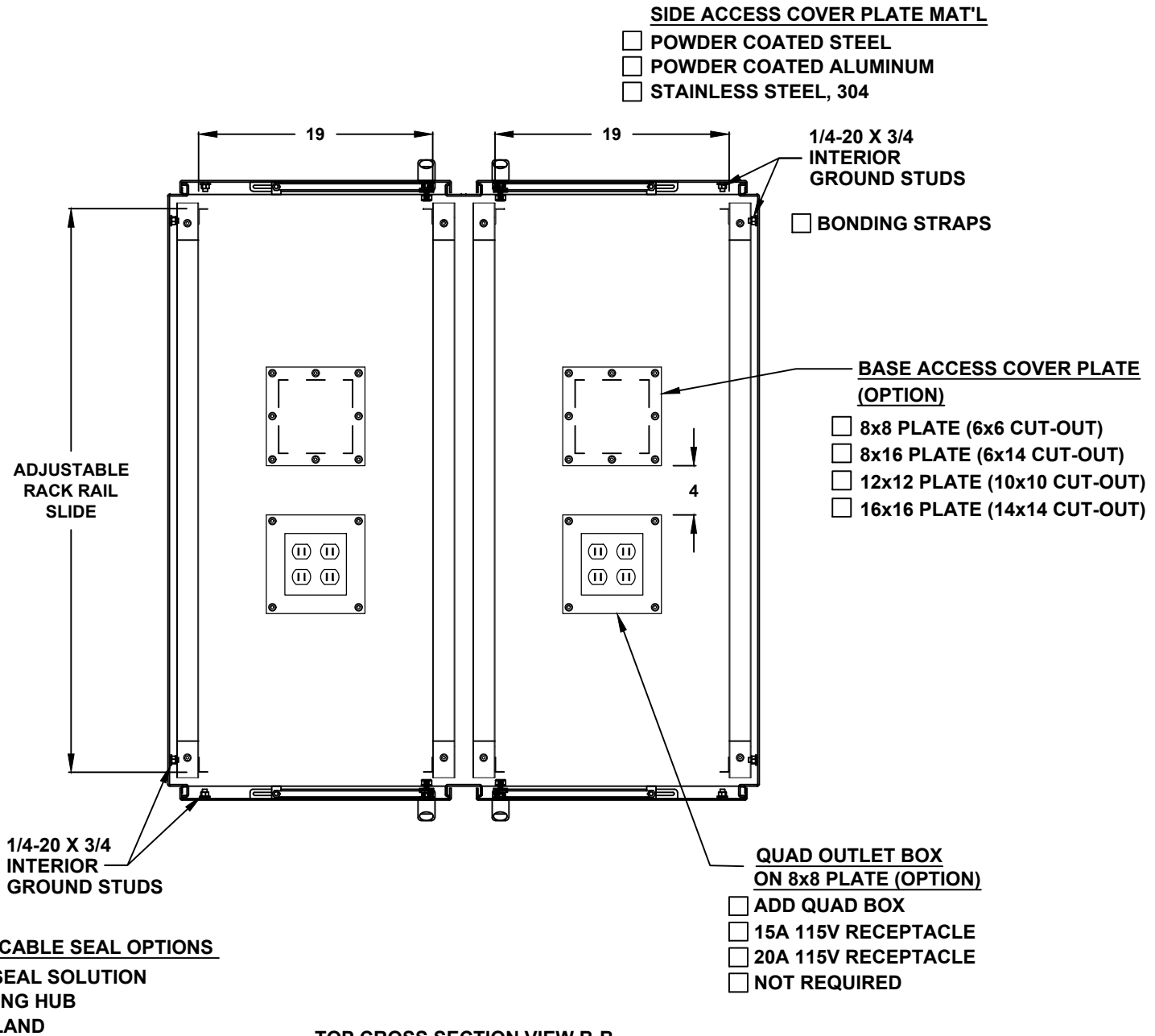
# 48" H x 48" W x 48" D 4 DOOR DESIGN



- DOOR STOPPER**
- INSTALL DOOR STOPPER
  - NOT REQUIRED

TOP VIEW

# 48" H x 48" W x 48" D 4 DOOR DESIGN



TOP CROSS SECTION VIEW B-B